

AV1355

Arecont Vision
megapixel technology...
beyond imagination

1.3 Megapixel H.264 IP MegaDome™ Camera

AV1355 (Color) AV1355DN (Day/Night)



MegaDome™ Series

Arecont Vision Advantages:

All-in-one H.264 MegaDome™ Solution

- Integrated megapixel camera, lens, and IP66 dome housing
- Vandal resistant aluminum chassis with 4" polycarbonate dome bubble
- Camera gimbal with 360° pan and 90° tilt adjustment for easy and accurate positioning
- Available in 1.3, 2, 3, and 5 MP sensor configurations with color only or Day/Night versions
- Supports both H.264 and MJPEG at full resolutions and full frame rates
- Surface mount with optional pendant mount or wall mount
- IP66 weatherproofing standard

H.264 (MPEG4 Part 10) Compression Standard

- Simultaneous support of both H.264 and MJPEG
- 10x average bandwidth and storage reduction over MJPEG

Multi-Streaming

- Up to 8 concurrent non-identical streams with different frame rates, bit rates, resolutions and picture quality

Bit Rate Control

- Maintain desired bandwidth and storage size

Real Time Streaming Protocol (RTSP)

- Allows for compatibility with media players such as Apple QuickTime, Windows Media Player, VLC Player, etc.

Superior Low Light Performance

- 1/2" CMOS Sensor

Unparalleled High Definition Resolution - 1280x1024

- Four times the resolution of IP VGA or analog cameras

Fastest MegaPixel Image Rates

- Up to 32fps in 1.3 megapixel mode

Forensic Zooming

- Zoom live or after-event while recording full field of view in HD ... replace PTZ devices

Reduced Overall System Cost

- Less cameras to install, less wiring, no external power (POE), less NVR licensing fees

Full or 1/4 Resolution

- Can be used for either live viewing or archiving purposes

Other key features:

- Simultaneous full field of view and Region-of-Interest (ROI)
- Image cropping allows streaming of full density partial images
- On-camera motion detection
- Motorized IR Cut Filter (DN Version) and more

The AV1355 MegaDome™ series network camera is part of Arecont Vision's full line of H.264 megapixel cameras. This fully compliant implementation of H.264 (MPEG 4, Part 10) provides full 1280 x 1024 megapixel resolution at full video frame rates of 32fps. The MegaDome™ camera line provides an all-in-one solution with integrated megapixel camera, lens, and vandal resistant dome enclosure. Using MegaVideo® technology, these cameras offer bandwidth and storage efficiency of up to 10X on average over traditional megapixel counterparts.

Learn more about our products at www.arecontvision.com

www.arecontvision.com avsales@arecontvision.com +1.818.937.0700 877.CAMERA.8

Model Numbers:

- AV1355 - Color
- AV1355DN - Day/Night

Imaging

- 1.3 megapixel CMOS image sensor
- 1280(H) x 1024(V) pixel array
- 1/2" optical format
- Bayer mosaic RGB filter
- Minimum illumination of:
 - Color: 0.1 Lux @ F1.4
 - Day/Night: 0 Lux, IR sensitive
- Dynamic range 60 dB
- Maximum SNR 45 dB

Full Field of View (FOV) Resolutions

- 1280(H)x1024(V) 1.3 megapixel
- 640(H)x512(V) 1/4 resolution

Cropped Field of View Resolutions

- 1280x720 HDTV-720p
- 1024x768 XGA
- 800x600 SVGA
- 704x570 PAL
- 704x480 NTSC
- 640x480 VGA
- 352x288 CIF
- 320x240 SIF

Data Transmission

- Video frame rate up to:
 - 32fps @ 1280x1024
- Compression type:
 - H.264 (MPEG4, Part 10)
 - Motion JPEG
 - 21 levels of quality
- TFTP, HTTP, RTSP image transmission protocols
- 100Base-T Ethernet Network Interface
- Data rate:
 - bit rate control from 100Kbps to 10Mbps
 - bit rate control available for full view, multi view, and archive
 - unthrottled data rate in MJPEG up to 55Mbps

Programmability

- Auto Exposure (AE) and Gain Control (AGC) >120dB
- On-camera real-time motion detection with 64 detection zones
- Programmable backlight compensation
- Auto multi-matrix white balance
- 50/60Hz selectable flicker control
- Electronic pan, tilt, zoom (PTZ)
- Electronic image flip - 180 degree rotation
- Resolution windowing down to 32x32 pixels window
- Programmable shutter speed to help control motion blur
- MoonLight™ mode - extended exposure and proprietary noise cancellation
- Programmable resolution, brightness, saturation, gamma, sharpness, tint
- Picture-in-Picture: simultaneous delivery of full field of view and zoomed images
- Bandwidth & storage savings by running at 1/4 resolution

Electrical

- Opto-coupled alarm or trigger input, opto-coupled alarm and flash sync output
- Power over Ethernet (PoE): PoE 802.3af
- DC input: auxiliary 12V-48V DC
- Power consumption 5 Watts maximum

Regulatory Approvals

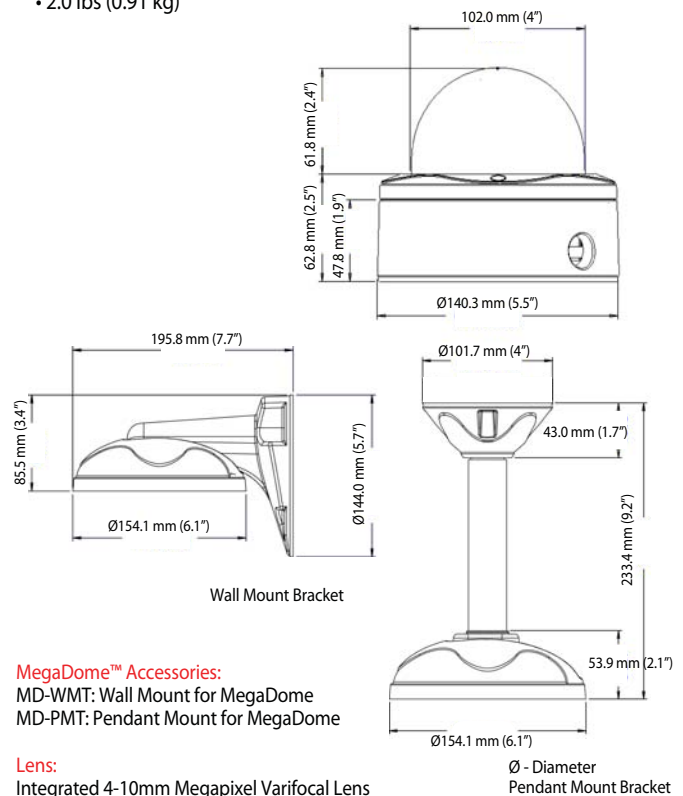
- FCC, Class A
- CE and RoHS compliant

Environmental

- IP66 weatherproofing standard
- Operating temperature:
 - cold start: 0°C (32 °F) to +50°C (122 °F)
 - warm start: -20°C (-4 °F) to +50°C (122 °F)
- Storage temperature: -20°C (-4 °F) to +60°C (140 °F)
- Humidity: 0% to 90% (non condensing)

Mechanical

- Easily adjustable camera gimbal with 360° pan and 90° tilt
- Die-cast aluminum chassis with 4" polycarbonate dome bubble
- Total Unit dimensions:
 - Ø5.5 x 4.9 in (H), bubble only: Ø4.0 x 2.4 in (H)
 - Ø140.3 x 124.6 mm (H), bubble only: Ø102 x 61.8 mm (H)
- 2.0 lbs (0.91 kg)



MegaDome™ Accessories:

- MD-WMT: Wall Mount for MegaDome
- MD-PMT: Pendant Mount for MegaDome

Lens:

Integrated 4-10mm Megapixel Varifocal Lens

Ø - Diameter
Pendant Mount Bracket



Made in USA

Revised on 02/20/09

AV2155

2 Megapixel H.264 IP MegaDome™ Camera

AV2155 (Color)

AV2155DN (Day/Night)



MegaDome™ Series

Arecont Vision Advantages:

All-in-one H.264 MegaDome™ Solution

- Integrated megapixel camera, lens, and IP66 dome housing
- Vandal resistant aluminum chassis with 4" polycarbonate dome bubble
- Camera gimbal with 360° pan and 90° tilt adjustment for easy and accurate positioning
- Available in 1.3, 2, 3, and 5 MP sensor configurations with color only or Day/Night versions
- Supports both H.264 and MJPEG at full resolutions and full frame rates
- Surface mount with optional pendant mount or wall mount
- IP66 weatherproofing standard

H.264 (MPEG4 Part 10) Compression Standard

- Simultaneous support of both H.264 and MJPEG
- 10x average bandwidth and storage reduction over MJPEG

Multi-Streaming

- Up to 8 concurrent non-identical streams with different frame rates, bit rates, resolutions and picture quality

Bit Rate Control

- Maintain desired bandwidth and storage size

Real Time Streaming Protocol (RTSP)

- Allows for compatibility with media players such as Apple QuickTime, Windows Media Player, VLC Player, etc.

Superior Low Light Performance

- 1/2" CMOS Sensor

Unparalleled High Definition Resolution - 1600x1200

- Six times the resolution of IP VGA or analog cameras

Fastest MegaPixel Image Rates

- Up to 24fps in 2 megapixel mode

Forensic Zooming

- Zoom live or after-event while recording full field of view in HD ... replace PTZ devices

Reduced Overall System Cost

- Less cameras to install, less wiring, no external power (POE), less NVR licensing fees

Full or 1/4 Resolution

- Can be used for either live viewing or archiving purposes

Other key features:

- Simultaneous full field of view and Region-of-Interest (ROI)
- Image cropping allows streaming of full density partial images
- On-camera motion detection
- Motorized IR Cut Filter (DN Version) and more

The AV2155 MegaDome™ series network camera is part of Arecont Vision's full line of H.264 megapixel cameras. This fully compliant implementation of H.264 (MPEG 4, Part 10) provides full 1600 x 1200 megapixel resolution at full video frame rates of 24fps. The MegaDome™ camera line provides an all-in-one solution with integrated megapixel camera, lens, and vandal resistant dome enclosure. Using MegaVideo® technology, these cameras offer bandwidth and storage efficiency of up to 10X on average over traditional megapixel counterparts.

Learn more about our products at www.arecontvision.com

Model Numbers:

- AV2155 - Color
- AV2155DN - Day/Night

Imaging

- 2 megapixel CMOS image sensor
- 1600(H) x 1200(V) pixel array
- 1/2" optical format
- 4.2 μm pixel pitch
- Bayer mosaic RGB filter
- Minimum illumination of:
 - Color: 0.1 Lux @ F1.4
 - Day/Night: 0 Lux, IR sensitive
- Dynamic range 60 dB
- Maximum SNR 45 dB

Full Field of View (FOV) Resolutions

- 1600(H)x1200(V) 2 megapixel
- 800(H)x600(V) 1/4 resolution

Cropped Field of View Resolutions

- 1280x1024 1.3 MP
- 1280x720 HDTV-720p
- 1024x768 XGA
- 800x600 SVGA
- 704x570 PAL
- 704x480 NTSC
- 640x480 VGA
- 352x288 CIF
- 320x240 SIF

Data Transmission

- Video frame rate up to:
 - 24fps @ 1600x1200
 - 32fps @ 1280x1024
- Compression type:
 - H.264 (MPEG4, Part 10)
 - Motion JPEG
 - 21 levels of quality
- TFTP, HTTP, RTSP image transmission protocols
- 100Base-T Ethernet Network Interface
- Data rate:
 - bit rate control from 100Kbps to 10Mbps
 - bit rate control available for full view, multi view, and archive
 - unthrottled data rate in MJPEG up to 55Mbps

Programmability

- Auto Exposure (AE) and Gain Control (AGC) >120dB
- On-camera real-time motion detection with 64 detection zones
- Programmable backlight compensation
- Auto multi-matrix white balance
- 50/60Hz selectable flicker control
- Electronic pan, tilt, zoom (PTZ)
- Electronic image flip - 180 degree rotation
- Resolution windowing down to 32x32 pixels window
- Programmable shutter speed to help control motion blur
- MoonLight™ mode - extended exposure and proprietary noise cancellation
- Programmable resolution, brightness, saturation, gamma, sharpness, tint
- Picture-in-Picture: simultaneous delivery of full field of view and zoomed images
- Bandwidth & storage savings by running at 1/4 resolution

Electrical

- Opto-coupled alarm or trigger input, opto-coupled alarm and flash sync output
- Power over Ethernet (PoE): PoE 802.3af
- DC input: auxiliary 12V-48V DC
- Power consumption 5 Watts maximum

Regulatory Approvals

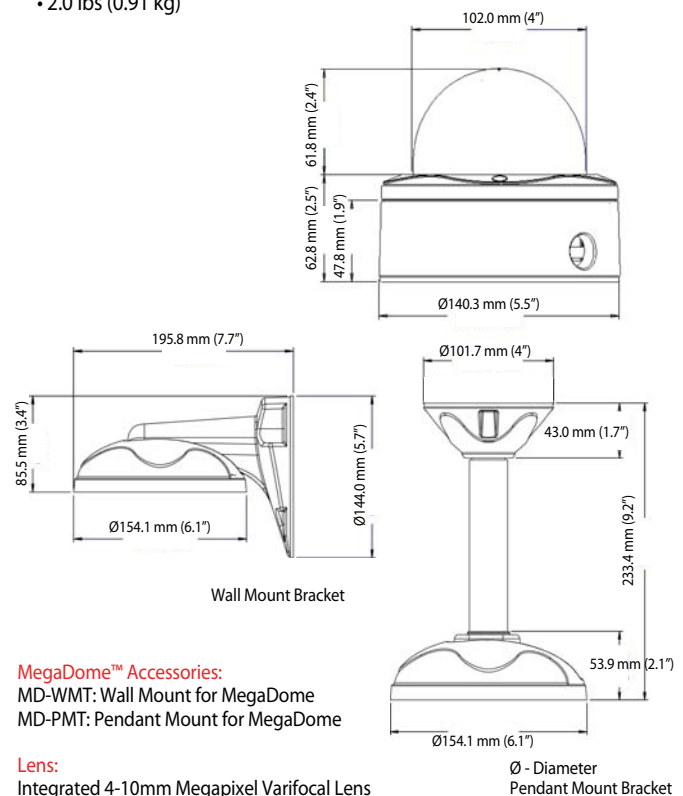
- FCC, Class A
- CE and RoHS compliant

Environmental

- IP66 weatherproofing standard
- Operating temperature:
 - cold start: 0°C (32 °F) to +50°C (122 °F)
 - warm start: -20°C (-4 °F) to +50°C (122 °F)
- Storage temperature: -20°C (-4 °F) to +60°C (140 °F)
- Humidity: 0% to 90% (non condensing)

Mechanical

- Easily adjustable camera gimbal with 360° pan and 90° tilt
- Die-cast aluminum chassis with 4" polycarbonate dome bubble
- Total Unit dimensions:
 - Ø5.5 x 4.9 in (H), bubble only: Ø4.0 x 2.4 in (H)
 - Ø140.3 x 124.6 mm (H), bubble only: Ø102 x 61.8 mm (H)
- 2.0 lbs (0.91 kg)



MegaDome™ Accessories:

- MD-WMT: Wall Mount for MegaDome
- MD-PMT: Pendant Mount for MegaDome

Lens:

Integrated 4-10mm Megapixel Varifocal Lens

Ø - Diameter
Pendant Mount Bracket



Made in USA

Revised on 02/20/09

AV3155

3 Megapixel H.264 IP MegaDome™ Camera

AV3155 (Color) AV3155DN (Day/Night)



MegaDome™ Series

Arecont Vision Advantages:

All-in-one H.264 MegaDome™ Solution

- Integrated megapixel camera, lens, and IP66 dome housing
- Vandal resistant aluminum chassis with 4" polycarbonate dome bubble
- Camera gimbal with 360° pan and 90° tilt adjustment for easy and accurate positioning
- Available in 1.3, 2, 3, and 5 MP sensor configurations with color only or Day/Night versions
- Supports both H.264 and MJPEG at full resolutions and full frame rates
- Surface mount with optional pendant mount or wall mount
- IP66 weatherproofing standard

H.264 (MPEG4 Part 10) Compression Standard

- Simultaneous support of both H.264 and MJPEG
- 10x average bandwidth and storage reduction over MJPEG

Multi-Streaming

- Up to 8 concurrent non-identical streams with different frame rates, bit rates, resolutions and picture quality

Bit Rate Control

- Maintain desired bandwidth and storage size

Real Time Streaming Protocol (RTSP)

- Allows for compatibility with media players such as Apple QuickTime, Windows Media Player, VLC Player, etc.

Superior Low Light Performance

- 1/2" CMOS Sensor

Unparalleled High Definition Resolution - 2048 x 1536

- Ten times the resolution of IP VGA or analog cameras

Fastest MegaPixel Image Rates

- Up to 15fps in 3 megapixel mode

Forensic Zooming

- Zoom live or after-event while recording full field of view in HD ... replace PTZ devices

Reduced Overall System Cost

- Less cameras to install, less wiring, no external power (POE), less NVR licensing fees

Full or 1/4 Resolution

- Can be used for either live viewing or archiving purposes

Other key features:

- Simultaneous full field of view and Region-of-Interest (ROI)
- Image cropping allows streaming of full density partial images
- On-camera motion detection
- Motorized IR Cut Filter (DN Version) and more

The AV3155 MegaDome™ series network camera is part of Arecont Vision's full line of H.264 megapixel cameras. This fully compliant implementation of H.264 (MPEG 4, Part 10) provides full 2048 x 1536 megapixel resolution at full video frame rates of 15fps. The MegaDome™ camera line provides an all-in-one solution with integrated megapixel camera, lens, and vandal resistant dome enclosure. Using MegaVideo® technology, these cameras offer bandwidth and storage efficiency of up to 10X on average over traditional megapixel counterparts.

Learn more about our products at www.arecontvision.com

Model Numbers:

AV3155 - Color

AV3155DN - Day/Night

Imaging

- 3 megapixel CMOS image sensor
- 2048(H) x 1536(V) pixel array
- 1/2" optical format
- 3.2 μm pixel pitch
- Bayer mosaic RGB filter
- Minimum illumination of:
 - Color: 0.2 Lux @ F1.4
 - Day/Night: 0 Lux, IR sensitive
- Dynamic range 60 dB
- Maximum SNR 45 dB

Full Field of View (FOV) Resolutions

- 2048(H)x1536(V) 3 megapixel
- 1024(H)x768(V) 1/4 resolution

Cropped Field of View Resolutions

- 1920x1200 WUXGA
- 1920x1080 HDTV-1080p
- 1600x1200 2 MP
- 1280x1024 1.3 MP
- 1280x720 HDTV-720p
- 1024x768 XGA
- 800x600 SVGA
- 704x570 PAL
- 704x480 NTSC
- 640x480 VGA
- 352x288 CIF
- 320x240 SIF

Data Transmission

- Video frame rate up to:
 - 15fps @ 2048x1536
 - 20fps @ 1920x1200
 - 22fps @ 1920x1080
 - 24fps @ 1600x1200
 - 32fps @ 1280x1024
- Compression type:
 - H.264 (MPEG4, Part 10)
 - Motion JPEG
 - 21 levels of quality
- TFTP, HTTP, RTSP image transmission protocols
- 100Base-T Ethernet Network Interface
- Data rate:
 - bit rate control from 100Kbps to 10Mbps
 - bit rate control available for full view, multi view, and archive
 - unthrottled data rate in MJPEG up to 55Mbps

Programmability

- Auto Exposure (AE) and Gain Control (AGC) >120dB
- On-camera real-time motion detection with 64 detection zones
- Programmable backlight compensation
- Auto multi-matrix white balance
- 50/60Hz selectable flicker control
- Electronic pan, tilt, zoom (PTZ)
- Electronic image flip - 180 degree rotation
- Resolution windowing down to 32x32 pixels window
- Programmable shutter speed to help control motion blur
- MoonLight™ mode - extended exposure and proprietary noise cancellation
- Programmable resolution, brightness, saturation, gamma, sharpness, tint
- Picture-in-Picture: simultaneous delivery of full field of view and zoomed images
- Bandwidth & storage savings by running at 1/4 resolution

Made in USA

Electrical

- Opto-coupled alarm or trigger input, opto-coupled alarm and flash sync output
- Power over Ethernet (PoE): PoE 802.3af
- DC input: auxiliary 12V-48V DC
- Power consumption 5 Watts maximum

Regulatory Approvals

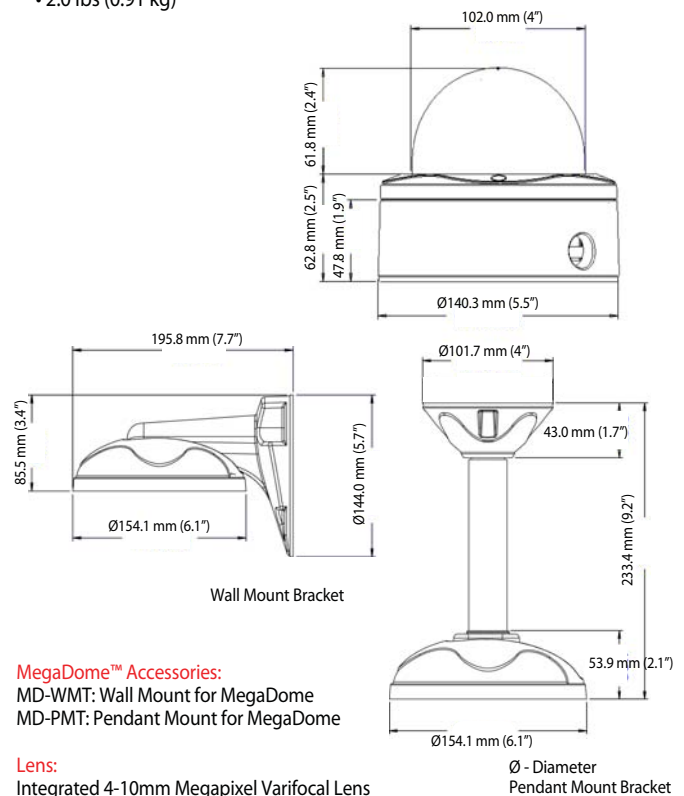
- FCC, Class A
- CE and RoHs compliant

Environmental

- IP66 weatherproofing standard
- Operating temperature:
 - cold start: 0°C (32 °F) to +50°C (122 °F)
 - warm start: -20°C (-4 °F) to +50°C (122 °F)
- Storage temperature: -20°C (-4 °F) to +60°C (140 °F)
- Humidity: 0% to 90% (non condensing)

Mechanical

- Easily adjustable camera gimbal with 360° pan and 90° tilt
- Die-cast aluminum chassis with 4" polycarbonate dome bubble
- Total Unit dimensions:
 - Ø5.5 x 4.9 in (H), bubble only: Ø4.0 x 2.4 in (H)
 - Ø140.3 x 124.6 mm (H), bubble only: Ø102 x 61.8 mm (H)
- 2.0 lbs (0.91 kg)



MegaDome™ Accessories:

- MD-WMT: Wall Mount for MegaDome
- MD-PMT: Pendant Mount for MegaDome

Lens:

Integrated 4-10mm Megapixel Varifocal Lens

Ø - Diameter
Pendant Mount Bracket

Arecont Vision
megapixel technology...
beyond imagination

Revised on 02/20/09

AV5155

5 Megapixel H.264 IP MegaDome™ Camera

AV5155 (Color) AV5155DN (Day/Night)



MegaDome™ Series

Arecont Vision Advantages:

All-in-one H.264 MegaDome™ Solution

- Integrated megapixel camera, lens, and IP66 dome housing
- Vandal resistant aluminum chassis with 4" polycarbonate dome bubble
- Camera gimbal with 360° pan and 90° tilt adjustment for easy and accurate positioning
- Available in 1.3, 2, 3, and 5 MP sensor configurations with color only or Day/Night versions
- Supports both H.264 and MJPEG at full resolutions and full frame rates
- Surface mount with optional pendant mount or wall mount
- IP66 weatherproofing standard

H.264 (MPEG4 Part 10) Compression Standard

- Simultaneous support of both H.264 and MJPEG
- 10x average bandwidth and storage reduction over MJPEG

Multi-Streaming

- Up to 8 concurrent non-identical streams with different frame rates, bit rates, resolutions and picture quality

Bit Rate Control

- Maintain desired bandwidth and storage size

Real Time Streaming Protocol (RTSP)

- Allows for compatibility with media players such as Apple QuickTime, Windows Media Player, VLC Player, etc.

Superior Low Light Performance

- 1/2" CMOS Sensor

Unparalleled High Definition Resolution - 2592x1944

- Fifteen times the resolution of IP VGA or analog cameras

Fastest MegaPixel Image Rates

- Up to 9fps in 5 megapixel mode

Forensic Zooming

- Zoom live or after-event while recording full field of view in HD ... replace PTZ devices

Reduced Overall System Cost

- Less cameras to install, less wiring, no external power (POE), less NVR licensing fees

Full or 1/4 Resolution

- Can be used for either live viewing or archiving purposes

Other key features:

- Simultaneous full field of view and Region-of-Interest (ROI)
- Image cropping allows streaming of full density partial images
- On-camera motion detection
- Motorized IR Cut Filter (DN Version) and more

The AV5155 MegaDome™ series network camera is part of Arecont Vision's full line of H.264 megapixel cameras. This fully compliant implementation of H.264 (MPEG 4, Part 10) provides full 2592x1944 megapixel resolution at full video frame rates of 9fps. The MegaDome™ camera line provides an all-in-one solution with integrated megapixel camera, lens, and vandal resistant dome enclosure. Using MegaVideo® technology, these cameras offer bandwidth and storage efficiency of up to 10X on average over traditional megapixel counterparts.

Learn more about our products at www.arecontvision.com

Model Numbers:

- AV5155 - Color
- AV5155DN - Day/Night

Imaging

- 5 megapixel CMOS image sensor
- 2592(H) x 1944(V) pixel array
- 1/2.5" optical format
- 2.2 μm pixel pitch
- Bayer mosaic RGB filter
- Minimum illumination of:
 - Color: 0.3 Lux @ F1.4
 - Day/Night: 0 Lux, IR sensitive
- Dynamic range 60 dB
- Maximum SNR 45 dB

Full Field of View (FOV) Resolutions

- 2592(H)x1944(V) 5 megapixel
- 1296(H)x968(V) 1/4 resolution

Cropped Field of View Resolutions

- 2048x1536 3 MP
- 1920x1200 WUXGA
- 1920x1080 HDTV-1080p
- 1600x1200 2 MP
- 1280x1024 1.3 MP
- 1280x720 HDTV-720p
- 1024x768 XGA
- 800x600 SVGA
- 704x570 PAL
- 704x480 NTSC
- 640x480 VGA
- 352x288 CIF
- 320x240 SIF

Data Transmission

- Video frame rate up to:
 - 9fps @ 2592x1944
 - 12fps @ 2560x1600
 - 15fps @ 2048x1536
 - 24fps @ 1600x1200
 - 32fps @ 1280x1024
- Compression type:
 - H.264 (MPEG4, Part 10)
 - Motion JPEG
 - 21 levels of quality
- TFTP, HTTP, RTSP image transmission protocols
- 100Base-T Ethernet Network Interface
- Data rate:
 - bit rate control from 100Kbps to 10Mbps
 - bit rate control available for full view, multi view, and archive
 - unthrottled data rate in MJPEG up to 55Mbps

Programmability

- Auto Exposure (AE) and Gain Control (AGC) >120dB
- On-camera real-time motion detection with 64 detection zones
- Programmable backlight compensation
- Auto multi-matrix white balance
- 50/60Hz selectable flicker control
- Electronic pan, tilt, zoom (PTZ)
- Electronic image flip - 180 degree rotation
- Resolution windowing down to 32x32 pixels window
- Programmable shutter speed to help control motion blur
- MoonLight™ mode - extended exposure and proprietary noise cancellation
- Programmable resolution, brightness, saturation, gamma, sharpness, tint
- Picture-in-Picture: simultaneous delivery of full field of view and zoomed images
- Bandwidth & storage savings by running at 1/4 resolution

Electrical

- Opto-coupled alarm or trigger input, opto-coupled alarm and flash sync output
- Power over Ethernet (PoE): PoE 802.3af
- DC input: auxiliary 12V-48V DC
- Power consumption 5 Watts maximum

Regulatory Approvals

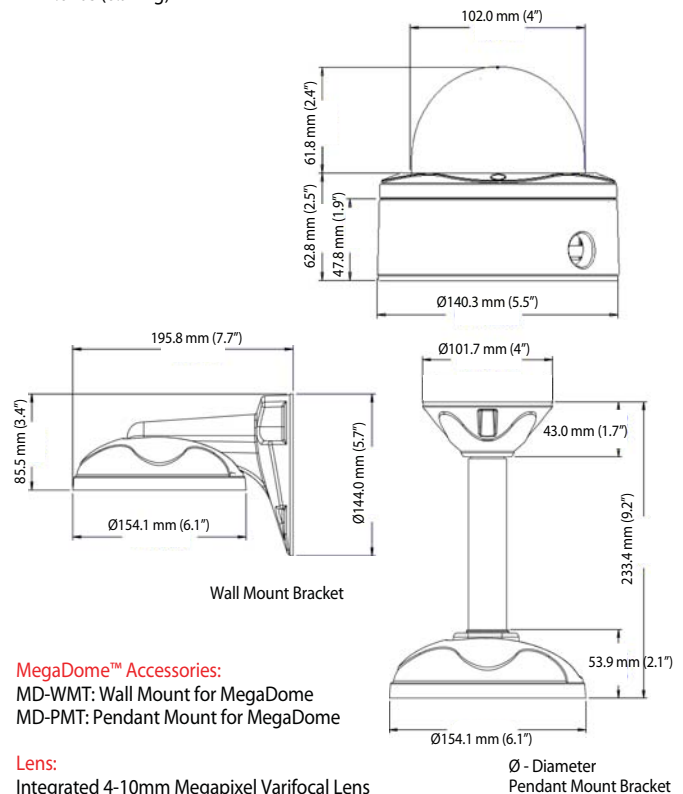
- FCC, Class A
- CE and RoHS compliant

Environmental

- IP66 weatherproofing standard
- Operating temperature:
 - cold start: 0°C (32 °F) to +50°C (122 °F)
 - warm start: -20°C (-4 °F) to +50°C (122 °F)
- Storage temperature: -20°C (-4 °F) to +60°C (140 °F)
- Humidity: 0% to 90% (non condensing)

Mechanical

- Easily adjustable camera gimbal with 360° pan and 90° tilt
- Die-cast aluminum chassis with 4" polycarbonate dome bubble
- Total Unit dimensions:
 - Ø5.5 x 4.9 in (H), bubble only: Ø4.0 x 2.4 in (H)
 - Ø140.3 x 124.6 mm (H), bubble only: Ø102 x 61.8 mm (H)
- 2.0 lbs (0.91 kg)



MegaDome™ Accessories:

- MD-WMT: Wall Mount for MegaDome
- MD-PMT: Pendant Mount for MegaDome

Lens:

Integrated 4-10mm Megapixel Varifocal Lens

Ø - Diameter
Pendant Mount Bracket

Arecont Vision
megapixel technology...
beyond imagination

Made in USA

Revised on 02/20/09